

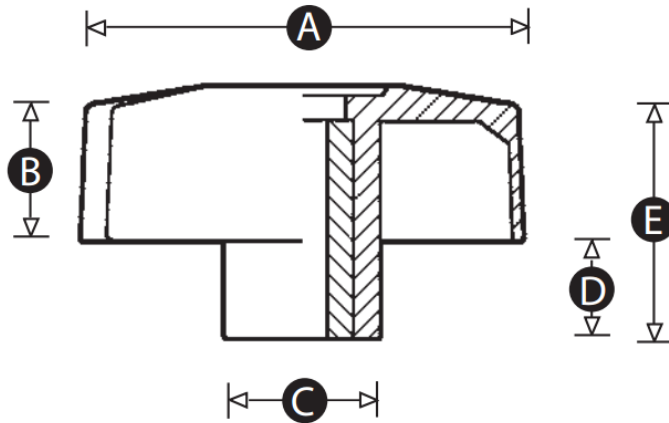
## G10TPK Through Thread Tristar Knob

### Features

- Superstrong yet lightweight, can withstand arduous industrial use

### Material

- Body: High impact resistant thermoplastic, matt black finish
- Insert: Brass or aluminium



Part No.	A	B	C	D	E	Insert	Thread Size
G10TPK-8972U	28	11	11	6	17	Brass	M5
G10TPK-5114T							M6
G10TPK-8976P	40	12	15	8	20	Brass	M6
G10TPK-9746P							M8
G10TPK-9746P-AL						Aluminium	
G10TPK-8968Z	50	15	15	9	24	Brass	M8
G10TPK-8964T	60	18	19	12	30	Brass	M10